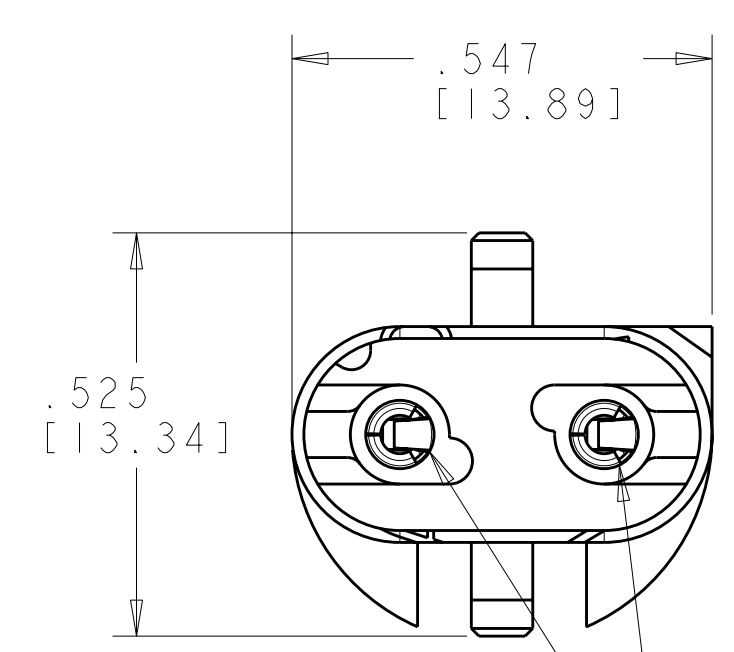
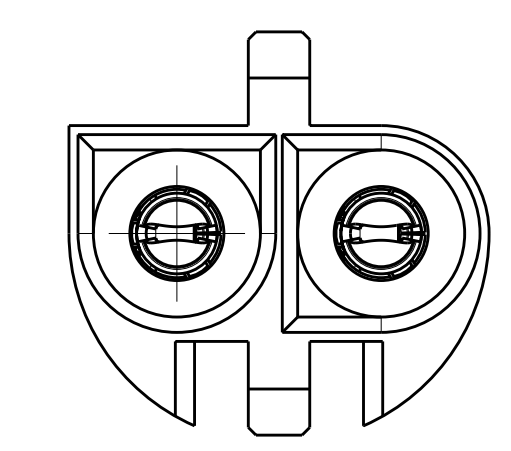
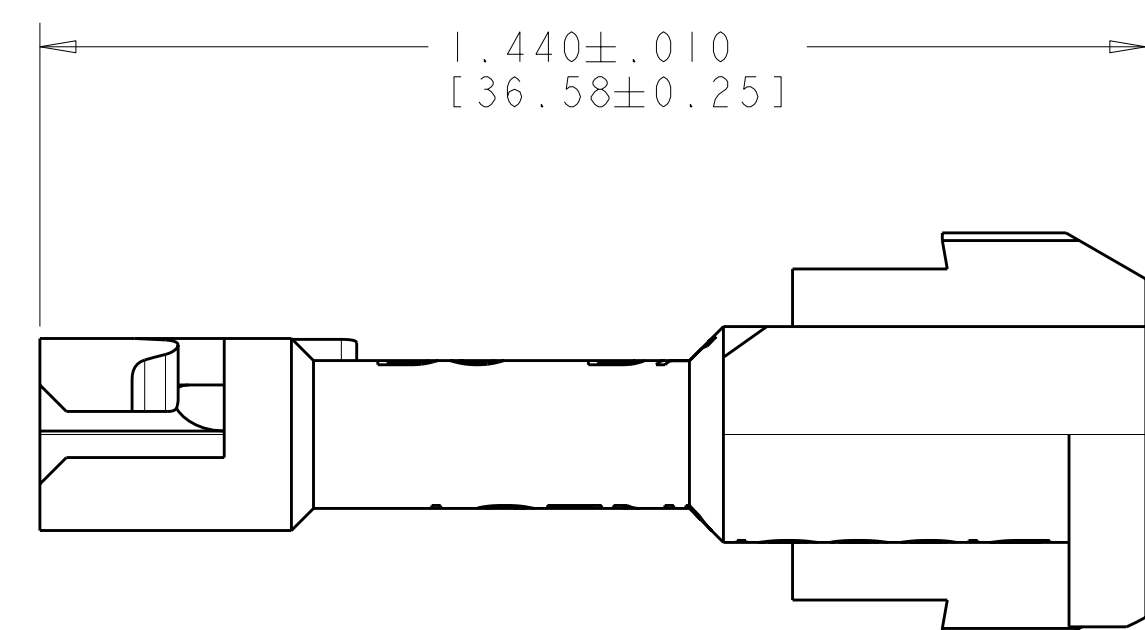
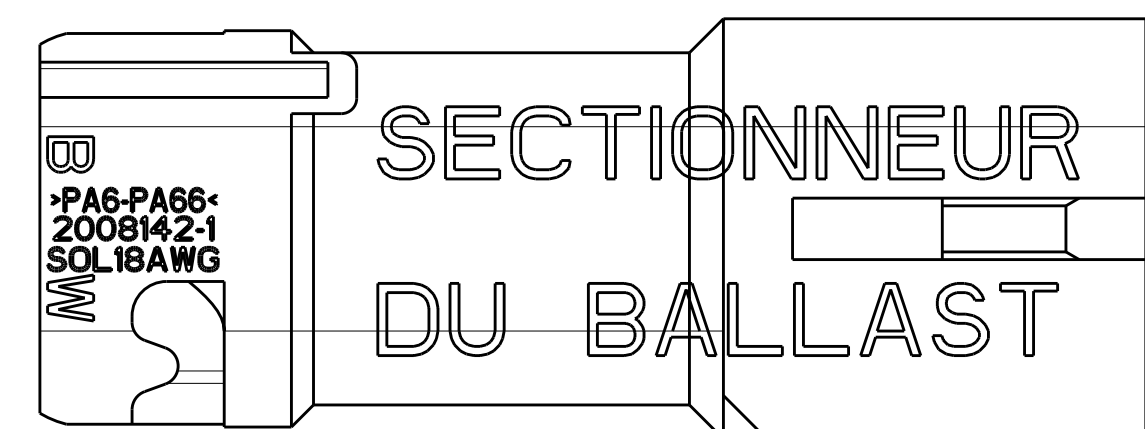
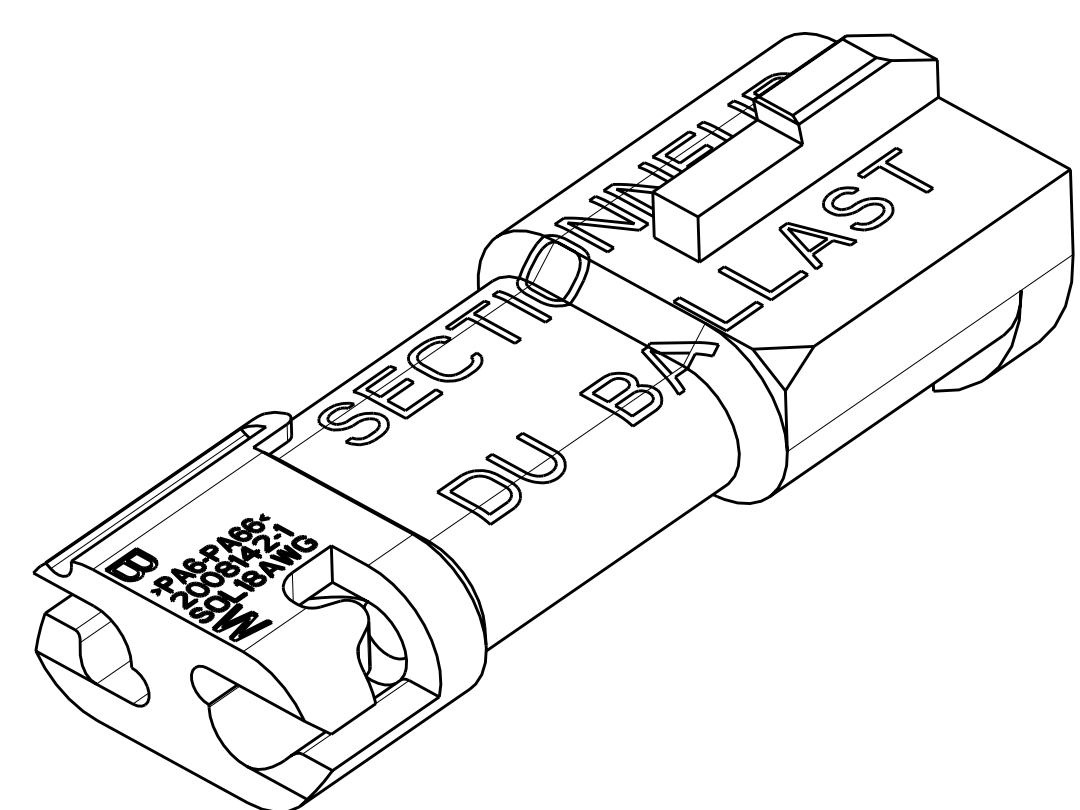
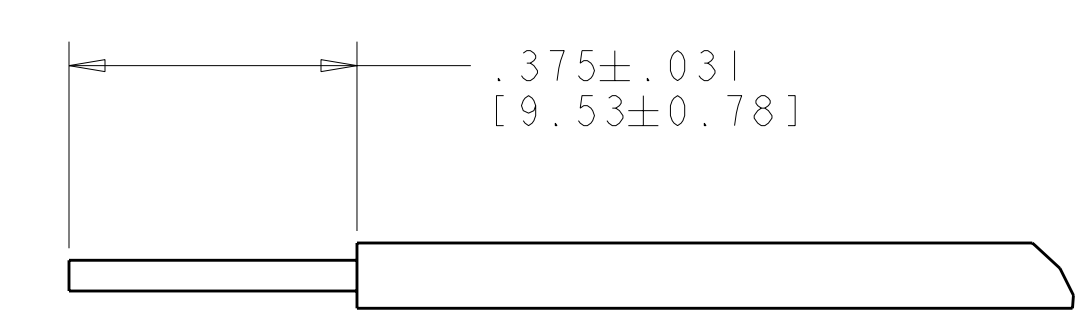
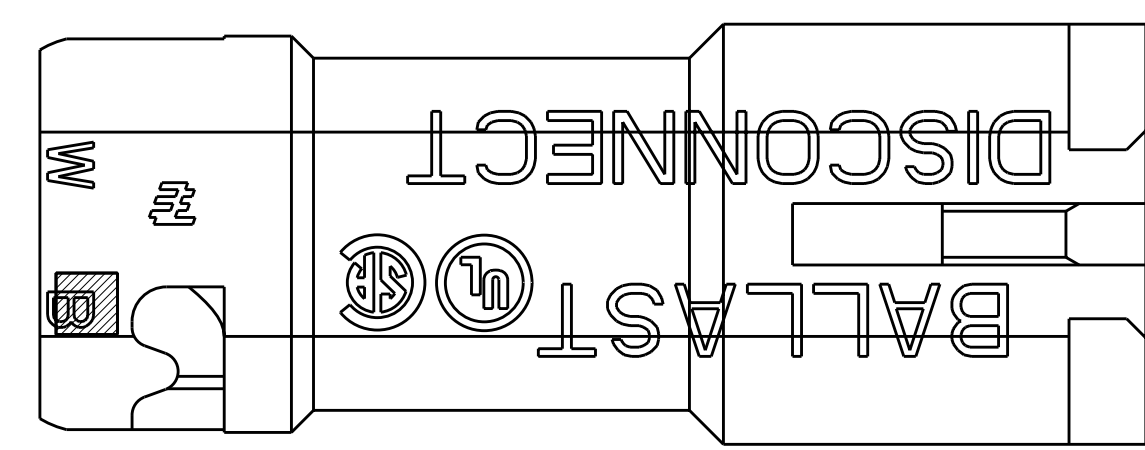


| LOC | DIST | REVISIONS |                            |             |      |
|-----|------|-----------|----------------------------|-------------|------|
| AF  | 50   | REV       | DATE                       | BY          | APPD |
|     |      | A         | RELEASED PER ECO-07-025460 | 06 NOV 2007 | JJK  |
|     |      |           |                            |             |      |
|     |      |           |                            |             |      |



ACCEPTS 18 AWG SOLID WIRE  
 WITH .086 [2.18] MAX INSULATION DIAMETER



RECOMMENDED WIRE STRIP LENGTH

- 1 MATERIAL:  
 HOUSING: POLYAMIDE, COLOR: NATURAL  
 CONTACTS: PHOSPHOR BRONZE  
 INK: BLACK
- 2 FINISH:  
 CONTACTS: TIN PLATED
- 3. SEE INSTRUCTION SHEET: 408-10153
- 4 THIS PRODUCT HAS NOT COMPLETED  
 VALIDATION TESTING.

2008142-1  
 PART NUMBER

|  |   |   |  |
|--|---|---|--|
| <small>THIS DRAWING IS UNPUBLISHED. RELEASED FOR PUBLICATION BY TYCO ELECTRONICS CORPORATION. ALL RIGHTS RESERVED.</small><br><small>THIS IS SUBJECT TO CHANGE WITHOUT NOTICE. THE USER SHALL BE RESPONSIBLE FOR VERIFYING THE DIMENSIONS AND TOLERANCES OF THE PARTS AND ASSEMBLIES TO BE USED IN THE FINAL DESIGN.</small> |   | DWN<br>C. DAILY 23APR2007<br>CHK<br>J. LANDIS 23APR2007<br>APVD                         | Tyco Electronics<br>Harrisburg, PA 17105-3608  |
| DIMENSIONS:<br>IN<br>  | TOLERANCES UNLESS OTHERWISE SPECIFIED:<br>9 PLC ±<br>8 PLC ±.01<br>5 PLC ±.005<br>4 PLC ±<br>ANGLES ±1°<br>FINISH | PRODUCT SPEC<br>108-2275<br>APPLICATION SPEC<br>114-13204<br>WEIGHT<br>CUSTOMER DRAWING | NAME<br>ASSEMBLY, RECEPTACLE, 2 POSITION, PT LIGHT-N-LOK<br>SIZE CAGE CODE DRAWING NO<br>A 100779 C=2008142<br>RESTRICTED TO<br>SCALE 4:1 SHEET 1 OF 1 REV A |